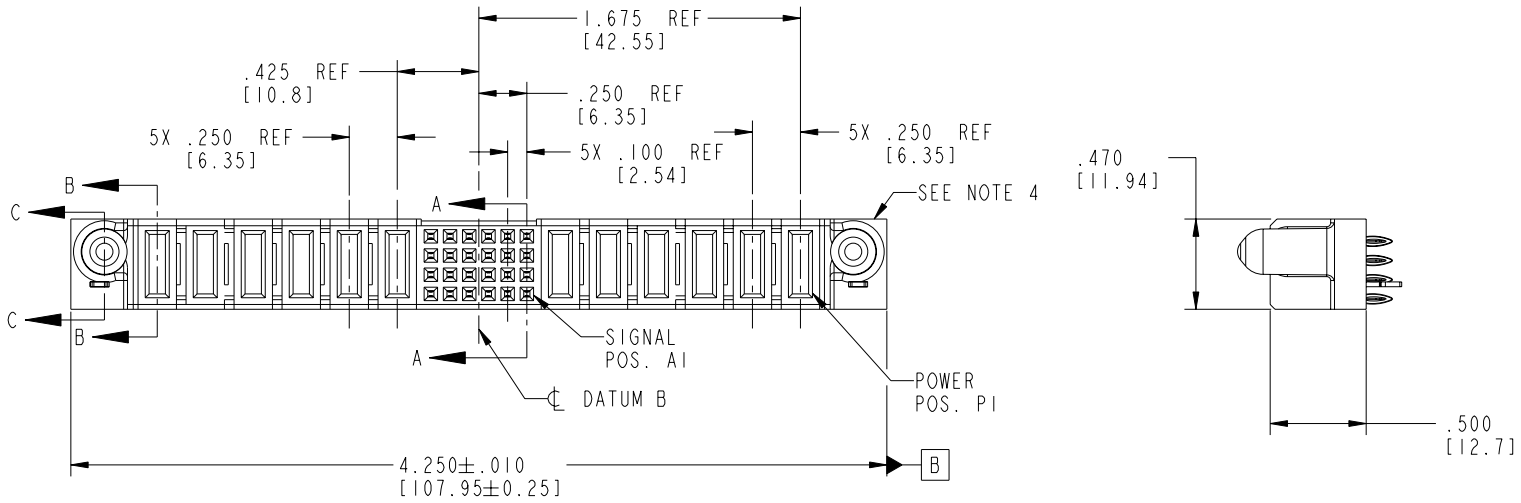


Tous droits strictement reserves. Reproduction ou communication a des tiers interdite sous quelque forme que ce soit sans autorisation écrite du propriétaire. Propriete de c FCI. Droits de reproduction FCI.

All rights strictly reserved. Reproduction or issue to third parties in any form whenever is not permitted without written authority from the proprietor. Property of FCI. Copyright FCI.

PRODUCT NO.	ROWS	POWER						SIGNAL					POWER								
		E2	P12	P11	P10	P9	P8	P7	6	5	4	3	2	1	P6	P5	P4	P3	P2	P1	E1
51750-046-- NOTE: 3	D C B A		PC	PC	PC	PC	PC	PF	F	F	F	F	F	F	PF	PC	PC	PC	PC	PC	



CODE	DIM "M" MATING LENGTH	CONTACT TYPE
F	N/A [N/A]	SIGNAL
PC	.042 [1.07]	POWER
PF	.092 [2.34]	POWER
HA	N/A [N/A]	HOLD-DOWN

mat'l code				SEE NOTE 2		tolerances unless otherwise specified		CUSTOMER		FCI www.fciconnect.com		
ltr	ecn no.	dr	date	linear	.XX±.01/0.X±0.3		COPY		title 6P + 24S + 6P VERTICAL PRESS-FIT RECEPT			
A	V03-0365	MEM	4/3/03		.XXX±.005/0.XX±0.13		projection					
B	DG05-0300	GuoJM	08/29/05		.XXX±.0020/0.XXX±0.051		INCH/MM					
				angles	0° ± 2°		scale		product family PwrBlade code 213			
				dr	M. MOSTOLLER	4/3/03		A		size 51750-046 sheet 1 of 4		
				engr	M. MOSTOLLER	4/3/03		1:1				
				chr	H. BREWBAKER	4/3/03						
				appd	M. MOSTOLLER	4/3/03						
sheet index	revision sheet	B 1	B 2	B 3	B 4					cage code 22526		

Pro/E

PDM: Rev:B

STATUS: Released

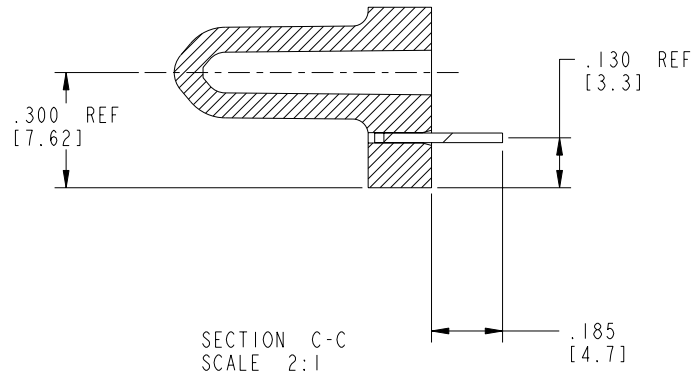
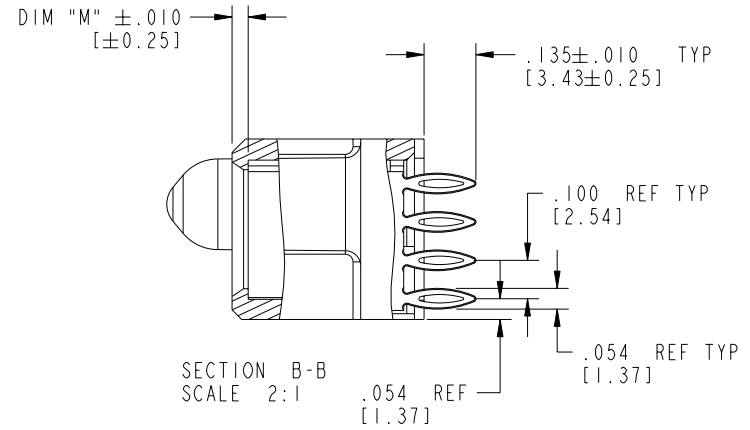
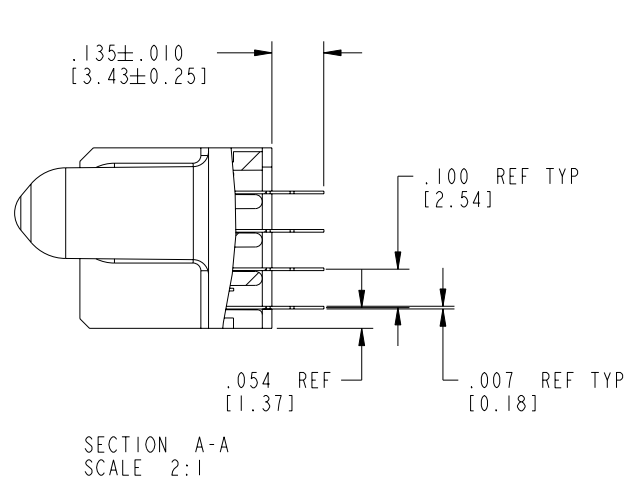
Printed: Aug 14, 2007


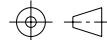

Tous droits strictement reserves. Reproduction ou communication a des tiers interdite sous quelque forme que ce soit sans autorisation ecrite du proprietaire. Propriete de c FCI. Droits de reproduction FCI.

FCI

All rights strictly reserved. Reproduction or issue to third parties in any form whatever is not permitted without written authority from the proprietor. Property of FCI. Copyright FCI.

PRODUCT NUMBER
51750-046--
NOTE: 3



mat'l code		SEE NOTE 2		tolerances unless otherwise specified		CUSTOMER		 FCI www.fciconnect.com	
ltr	ecn no.	dr	date	linear	.XX ± .01/0.X ± 0.3	COPY			
B				projection	.XXX ± .005/0.XXX ± 0.13			title 6P + 24S + 6P	
				angles	.XXX ± .0020/0.XXX ± 0.051			VERTICAL PRESS-FIT RECEIPT	
		dr	M. MOSTOLLER	4/3/03		product family PwrBlade		code 213	
		enr	M. MOSTOLLER	4/3/03		size		sheet 2 of 4	
		chr	H. BREWBAKER	4/3/03		scale		51750-046	
		appd	M. MOSTOLLER	4/3/03		1:1			
sheet index		revision sheet							

Pro/E

cage code 22526

PDM: Rev:B

STATUS: Released

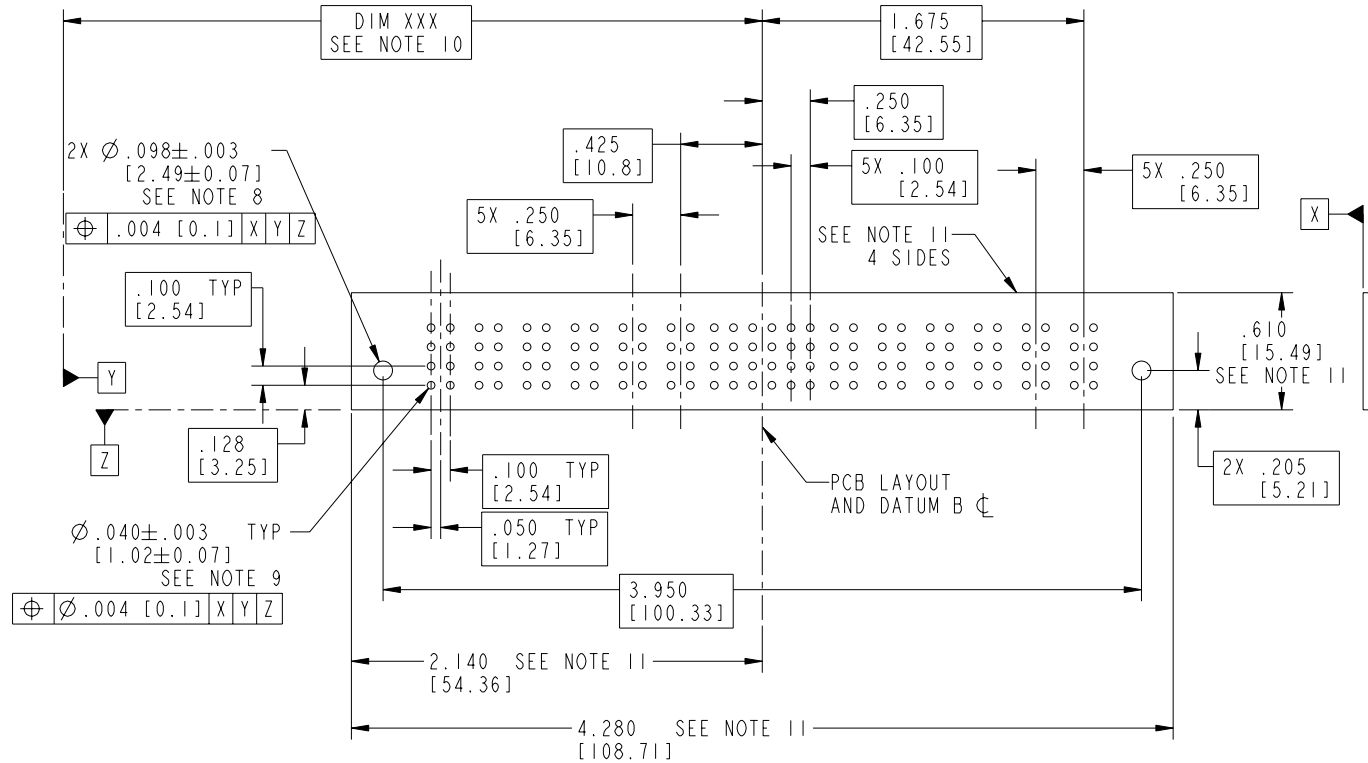
Printed: Aug 14, 2007

Tous droits strictement réservés. Reproduction ou communication a des tiers interdite sous quelque forme que ce soit sans autorisation écrite du propriétaire. Propriété de c FCI. Droits de reproduction FCI.



All rights strictly reserved. Reproduction or issue to third parties in any form whatever is not permitted without written authority from the proprietor. Property of FCI. Copyright FCI.

PRODUCT NUMBER
51750-046--
NOTE: 3



mat'l code				SEE NOTE 2		tolerances unless otherwise specified		CUSTOMER		 www.fciconnect.com	
ltr	ecr no.	dr	date	linear	.XX±.01/0.X±0.3		COPY		title		
B					.XXX±.005/0.XX±0.13		projection		6P + 24S + 6P		
				angles	.XXX±.002/0.XX±0.051				VERTICAL PRESS-FIT RECEPT		
				dr	M. MOSTOLLER	4/3/03	INCH/MM		product family		code
				enr	M. MOSTOLLER	4/3/03			PwrBlade		213
				chr	H. BREWBAKER	4/3/03	scale		size		sheet
				appd	M. MOSTOLLER	4/3/03	1:1		A 51750-046		3 of 4
sheet index		revision sheet									

cage code 22526

Pro/E

PDM: Rev:B

STATUS: Released

Printed: Aug 14, 2007

Tous droits strictement réservés. Reproduction ou communication a des tiers interdite sous quelque forme que ce soit sans autorisation écrite du propriétaire. Propriété de c FCI. Droits de reproduction FCI.

A **FCI**

All rights strictly reserved. Reproduction or issue to third parties in any form, whatever is not permitted without written authority from the proprietor. Property of FCI. Copyright FCI.

A

B

PRODUCT NUMBER
51750-046__
NOTE: 3

NOTES:

1. DIMENSIONS AND TOLERANCES ARE IN ACCORDANCE WITH ASME Y14.5M, 1994 UNLESS OTHERWISE SPECIFIED.

CONNECTOR NOTES:

② HOUSING MATERIAL: UL 94 V-0 GLASS FILLED
HIGH-TEMP THERMOPLASTIC
POWER CONTACT MATERIAL: COPPER ALLOY
SIGNAL PIN MATERIAL: COPPER ALLOY

3. PLATING:

51750-046 Singal Pin:30u"/0.76um Au OVER 50u"/1.27um Ni ON THE CONTACT AREA,
AND 100u"/2.54um SnPb PLATING OVER 50u"/1.27um Ni ON THE TERMINATION SECTION.
Power Pin:30u"/0.76um Au OVER 50u"/1.27um Ni ON THE CONTACT AREA,
AND 100u"/2.54um SnPb PLATING OVER 50u"/1.27um Ni ON THE TERMINATION SECTION.

51750-046LF Singal Pin:30u"/0.76um Au OVER 50u"/1.27um Ni ON THE CONTACT AREA,
AND 78u"/2.00um Sn PLATING OVER 50u"/1.27um Ni ON THE TERMINATION SECTION.
Power Pin:30u"/0.76um Au OVER 50u"/1.27um Ni ON THE CONTACT AREA,
AND 78u"/2.00um Sn PLATING OVER 50u"/1.27um Ni ON THE TERMINATION SECTION.

PART NUMBER 51750-046LF MEETS EUROPEAN UNION DIRECTIVE AND OTHER COUNTRY REGULATIONS AS DESCRIBED IN GS-22-008.

THE HOUSING WILL WITHSTAND EXPOSURE TO 260° PEAK TEMPERATURE FOR 10 SECONDS IN A WAVE SOLDER APPLICATION WITH A CIRCUIT BOARD.

④ MANUFACTURER'S NAME, P/N, AND DATE CODE TO APPEAR ON THIS SURFACE.

5. PRODUCT SPECIFICATION GS-12-149.
APPLICATION SPECIFICATION BUS-20-067.

6. PACKAGED IN TRAYS.

PCB NOTES:

7. ALL HOLE DIAMETERS ARE FINISHED HOLE SIZE.

⑧ MOUNTING HOLES, WHERE APPLICABLE, ARE UNPLATED.

⑨ $\varnothing .0453 \pm .0010$ [1.151 ± 0.025] DRILLED HOLES PLATED WITH
.0003 [0.008] MIN SnPb OVER .001 [0.03]
TO .003 [0.08] Cu PLATING TO ACHIEVE
 $\varnothing .040 \pm .003$ [1.02 ± .07] HOLE.

⑩ "DIM XXX" TO BE DETERMINED BY THE CUSTOMER.

⑪ CONNECTOR KEEP-OUT ZONE.

mat'l code		SEE NOTE 2		tolerances unless otherwise specified		CUSTOMER		A FCI www.fciconnect.com	
ltr	ecn no.	dr	date	linear	.XX±.01/0.X±0.3		COPY		title 6P + 24S + 6P VERTICAL PRESS-FIT RECEPT
B					.XXX±.005/0.XX±0.13		projection		
				angles	.XXX±.0020/0.XXX±0.051		INCH/MM		product family PwrBlade code 213 size dwg no 51750-046 sheet 4 of 4
					0° ± 2°		scale 1:1		
		dr		enr	M. MOSTOLLER	4/3/03	A		
		enr		chr	M. MOSTOLLER	4/3/03			
		chr		appd	H. BREWBAKER	4/3/03			
		appd			M. MOSTOLLER	4/3/03			
sheet index	revision sheet								

A

B

1 | 2

3 |

4

1 | 2

Pro/E

3 |

cage code 22526

4